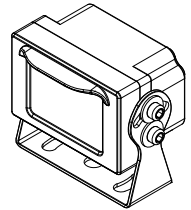
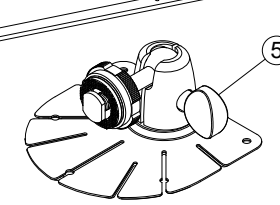
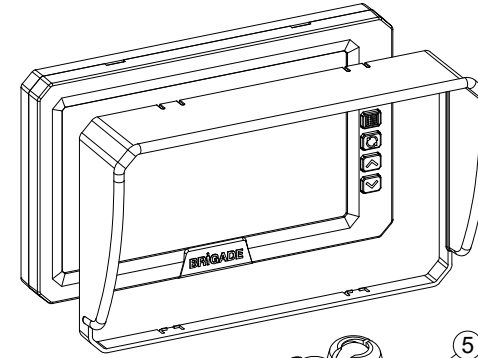
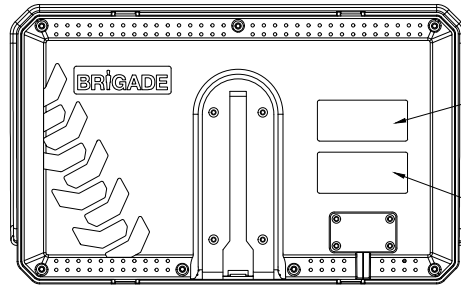
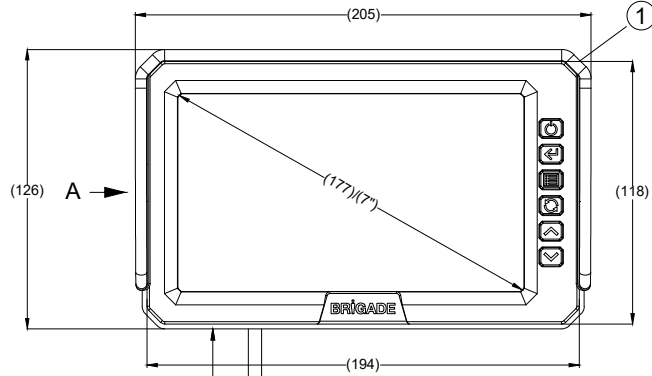


ITEM	PART NO.	QTY	MODEL NO.	DESCRIPTION	SYSTEM CONTENTS	
					VBV-670-000 (5774)	VBV-671-000 (5816)
①	5771	1	VBV-670M	ESSENTIAL MONITOR, 7" LCD 2 INPUTS	1	1
②	5772	1	VBV-630C	ESSENTIAL CAMERA, IP67 (PAL)	1	-
③	5817	1	VBV-631C	ESSENTIAL CAMERA, IP67 (NTSC)	-	1
④	5773	1	VBV-L4020	ESSENTIAL CAMERA EXTENSION CABLE - 20M	1	1
⑤	5777	1	VBV-670M-BKT	ESSENTIAL CMS 7" MONITOR - BRACKET	1	1
⑥	5806	1	VBV-630-000 - FIX	ESSENTIAL CAMERA FITTING KIT (NOT SHOWN)	1	1
⑦	5779	1	VBV-670-000 - IG	INSTALLATION GUIDE (NOT SHOWN)	1	1

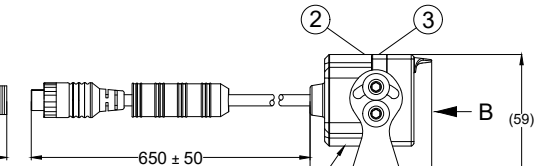
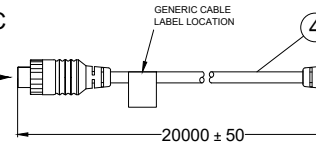
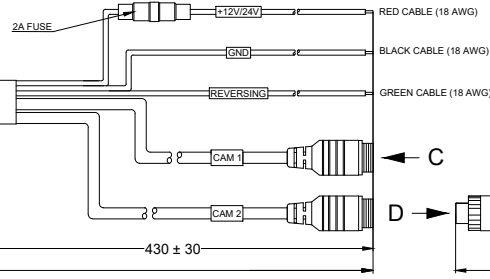
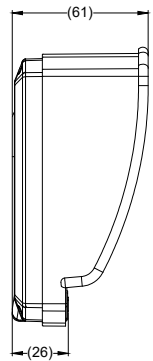
Revision Notes.

R1 - Camera Cable length changed from 700mm to 650mm as per ECR-A711

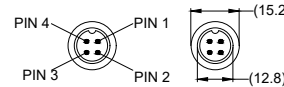
APA: C.ZHANG Drawn: S.GOVENDER Checked: J.STEWART Approved: S.LAVER Date: 25/11/19



VIEW A



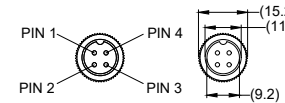
VIEW C



4 PIN MALE MATING FACE

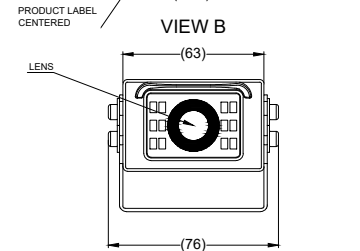
PIN #	WIRE COLOUR	DESCRIPTION
1	RED	+12V
2	BLACK/SHIELD	GND
3	WHITE	N/A
4	YELLOW	VIDEO

VIEW D



4 PIN FEMALE MATING FACE

PIN #	WIRE COLOUR	DESCRIPTION
1	RED	+12V
2	BLACK/SHIELD	GND
3	WHITE	N/A
4	YELLOW	VIDEO



- NOTES:**
- FOR PRODUCT LABELS AND PACKAGING DETAILS REFER TO MASTER BOM.
 - PRODUCT LABELS AND SERIAL NUMBER LABELS TO BE ALIGNED AND HORIZONTALLY FITTED.
 - FIRMWARE VERSIONS TO BE PRELOADED TO THE MONITOR DURING MANUFACTURE: 20190610.
 - HOUSING COLOR AND MATERIAL: BLACK, ABS. FINISH: EXTERIOR SURFACES FINISH Y S 9298.
 - 'BRIGADE' EMBOSSED LOGO AND BUTTON SYMBOLS TO BE WHITE PAINT.
 - REFER TO PRODUCT SPECIFICATION (PS) FOR MORE PRODUCT DETAILS.
 - FOR INSTALLATION DETAILS REFER TO 'INSTALLATION GUIDE'.
 - FUSE HOLDER MAY CHANGE ALTHOUGH FUNCTION AND RATING MUST REMAIN THE SAME.
 - ALL STRIPPED ENDS SHOULD BE TINNED.
 - ANY CUSTOMER MODIFICATION OF THIS PRODUCT CAUSING SUBSEQUENT FAILURE IS NOT A LIABILITY OF BRIGADE ELECTRONICS PLC.

PROPRIETARY NOTICE

THIS DESIGN AND TECHNICAL INFORMATION APPEARING ON THIS DRAWING IS THE PROPERTY OF BRIGADE ELECTRONICS, AND IS DISCLOSED IN CONFIDENCE. IT IS NOT TO BE COPIED, REPRODUCED, REVEALED TO OR EXPROPRIATED BY OTHERS, EITHER IN WHOLE OR IN PART WITHOUT THE EXPRESS WRITTEN CONSENT OF BRIGADE ELECTRONICS.

BRIGADE
www.brigade-electronics.com

Assembly Pl Approval C. ZHANG	Approved by R. PENTLEY	Checked by S. LAVER	Drawn by S. ROBERTSON
Angle of Projection 	Units mm	Scale N/A	Released 02/07/19
Status RELEASED	Part No SEE TABLE		
	Assembly Ref -		
	Released 02/07/19		
	Part No SEE TABLE		
	Assembly Ref BE-004025-01-19		